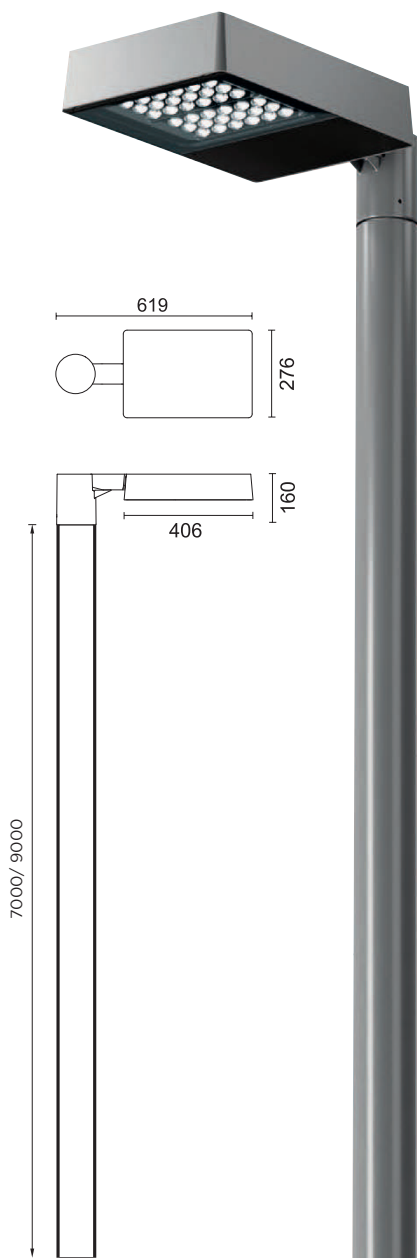


Art Number WL981002 **Model** 100-240VAC 50W



Features

TYLER series LED Street light adopts High lumen PHILIPS led as a light source. The main components of the lamp body made in aluminum alloy with good corrosion resistance surface spray or fluorocarbon paint processing. Translucent cover for transparent toughened glass. Anti-ultraviolet corrosion resistant to high and low temperature. Pole quality assure with surface spray treatment or fluorocarbon paint carbon structural hot dip galvanized steel or aluminum. Use stainless steel fastening screws, high and low temperature high strength silicone rubber seal.

Product Specification

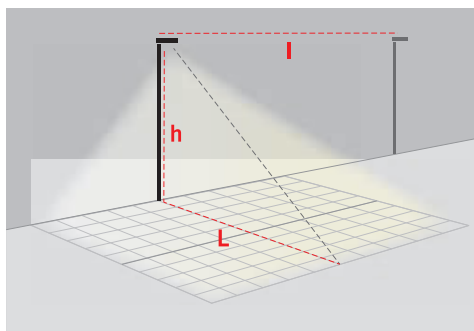
LED Chip	CREE LED
Power	50W
Input	100-240VAC
Output	4320lm
CCT	3000K(30)/ 4000K(40)/ 6000K(60)/ 6500K(65)
Power Factor	>0.9

Technical Data

IP Rating	IP65
Housing/ Front Cover	Aluminum alloy
Finishing	Black(04), Grey(06)
Light Window	Transparent toughened Glass
Power Cable	H05RN-F 3x0.75 mm ² / L=0.5m (high voltage)
Fastening	Stainless steel screw
Pole material	Steel/ Aluminum
Pole Dia	Ø60/ Ø76/ Ø102/ Ø120

Photometric Data

CRI	80
Luminous Efficacy	86lm/W
Beam Angle	Asymmetric (A)
Operating Temp.	-35°C~+55°



D= L/H
H= Installation Height
L= Width of area to be lit
I= Spacing between poles

Order Code Example

Artnumber	Finish	Beam Angle	Color Temp
WL981000	BL(04)	Diffused(D)	3000K(30)
WL981000.04.D.30			