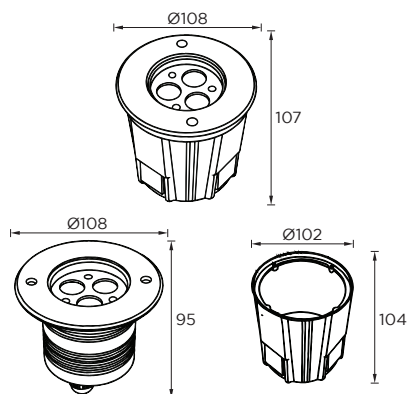


Art Number	Model
WL881000	24VDC Single Color
WL881001	240VAC Single Color
WL881002	24VDC RGB 3 in 1



Features

- Deliver light to permanent and semi-permanent installation such as side walks, large mature trees, walls and flagpoles.
- Easy install in any hardscaping material and is designed to weather the elements, car tires and foot traffic.
- RGB 3 in 1 available
- Dimmable support: Triac. PWM/ 1-10V/ Dali/ DMX512
- IP67 waterproof outdoor
- Stainless steel front cover/ CNC aluminum lighting body
- Incl. PVC mounting sleeve

Product Specification

LED Chip	CREE LED
Power	3x3W
Input	24VDC/ 240VAC
Output	720lm
CCT	3000K(30)/ 4000K(40)/ 6000K(60)/ RGB 3 IN 1(01)
LED Qty	3 LED

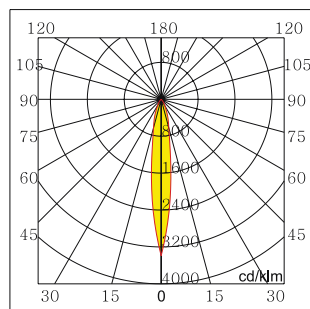
Technical Data

IP Rating	IP67
IK Rate	IK09
Housing/ Front Cover	Silver Aluminum Anodised/Stainless steel #316
Finishing	Stainless steel #316 (18)
Light Window	Tempered step glass
Power Cable	H05RN-F 2x0.75 mm ² / L=0.5m (low voltage) H05RN-F 3x0.75 mm ² / L=0.5m (high voltage) H05RN-F 4x0.75 mm ² / L=0.5m (RGB PWM)
Mounting Sleeve	PVC Plastic
Load Capacity	Full Area = 2500Kg-30Km/h
Weight	1Kg
Package	8pcs/CTN

Photometric Data

CRI	80
Luminous Efficacy	80lm/W
Beam Angle	6°(6)/ 10°(10)/ 15°(15)/ 25°(25)/ 45°(45)/ 60°(60) (Symmetric) 30°x45°(A1) (Asymmetric)
Operating Temp.	-20°C~+50°

9W 3000K 10°



H[m]	D[m]	MaxLux	MedLux	
1.00	0,25	1289	781	
2.00	0,50	322	195	
3.00	0,75	143	87	
4.00	1,00	81	49	
5.00	1,25	52	31	

Order Code Example

Artnumber	Finish	Beam Angle	Color Temp
WL881000	SS(09)	15°(15)	3000K(30)
WL881000.09.15.30			