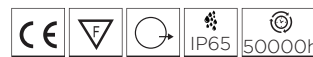


# SERIES BRAVE I

# Weatherproof Light IP65

**Art Number**  
WL441014

**Model**  
20W 220-240VAC



## Features

BRAVE II weather proof light adopts quality SMD LED as a light source Provides high lumen efficacy upto 100lm/W.

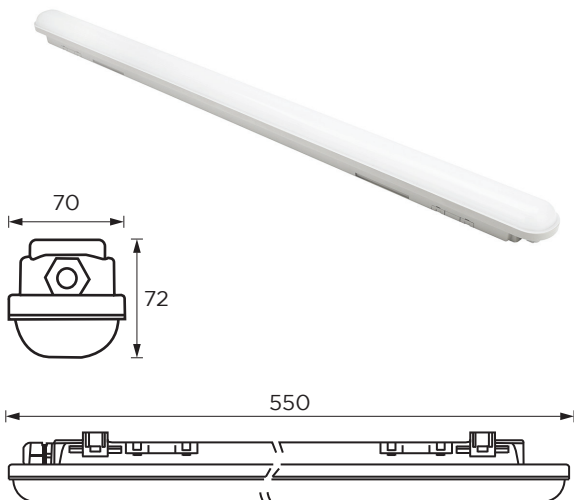
IP65 waterproof Led light luminaire fitting made in PC and Opal PC diffuser as light distributing agent.

PHILIPS LED driver inbuilt in the fittings which gives life time more than 50000 Hours.

Stainless steel clip helps to easy and safety installation.

Wide use of Warehouse, Metro, Garage, Tunnel Corridor, Store, Supermarket etc. Other versions available in Emergency and Dimming.

Available other CCT upon request as per the availability



## Product Specification

LED Chip	2835 SMD LED
Power	20W
Input	220-240 VAC
Output	2000lm
CCT	3000K(30)/ 4000K(40)/ 6000K(60)
Driver	Philips Inbuilt

## Technical Data

IP Rating	IP65
Housing	UV & impacts resistance of PC housing
Finishing	WH(01)/ BK(03)/ GY(05)
Diffuser	Opal PC
Mounting Clip	Stainless Steel

## Photometric Data

CRI	80
Luminous Efficacy	100lm/W
Beam Angle	120°(120)
Operating Temp.	-30°C-+50°

## Order Code Example

Artnumber	Finish	Beam Angle	Color Temp
WL441014	WH(01)	120°(120)	3000K(30)
WL441014.01.120.30			

