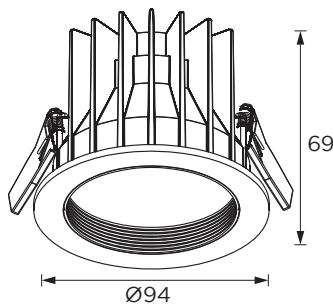


Art Number
WL111057

Model
18W



Features

- MAX series adopts brand CITIZEN COB LED with high lumen efficiency 106lm/W
- Body made with aluminum die cast and plastic-PC reflector gives good output
- Aluminum die cast heat sink resist the heat dissipation
- Lifespan is up to 50,000 hrs
- Available with remote driver
- Easy to install, use stainless steel spring, safe and durable
- Available other CCT on Request

Product Specification

LED Chip	CITIZEN COB LED
Power	18W
Input	500mA with remote driver
Output	1911lm(3K)/1994lm(4K)/2338lm(5K)
CCT	3000K(30)/ 4000K(40)/ 5000K(50)
LED Qty	1 COB

Technical Data

IP Rating	IP44
Housing	Die cast aluminum
Heat sink	Die cast aluminum
Finishing	White (02)/ Black(04)
Reflector	Plastic+PC
Power Cable	H05RN-F 2x0.75 mm ² / L=0.5m (low voltage)
Mounting Sleeve	Stainless steel
Cutout	Ø82mm
Weight	1Kg

Photometric Data

CRI	90+
Luminous Efficacy	106lm/W
Beam Angle	12°(12)/ 24°(24)/ 40°(40)
Operating Temp.	-20°C-+50°

Order Code Example

Artnumber	Finish	Beam Angle	Color Temp
WL111057	WH(02)	24°(24)	2700K(27)
WL111057.02.24.27			